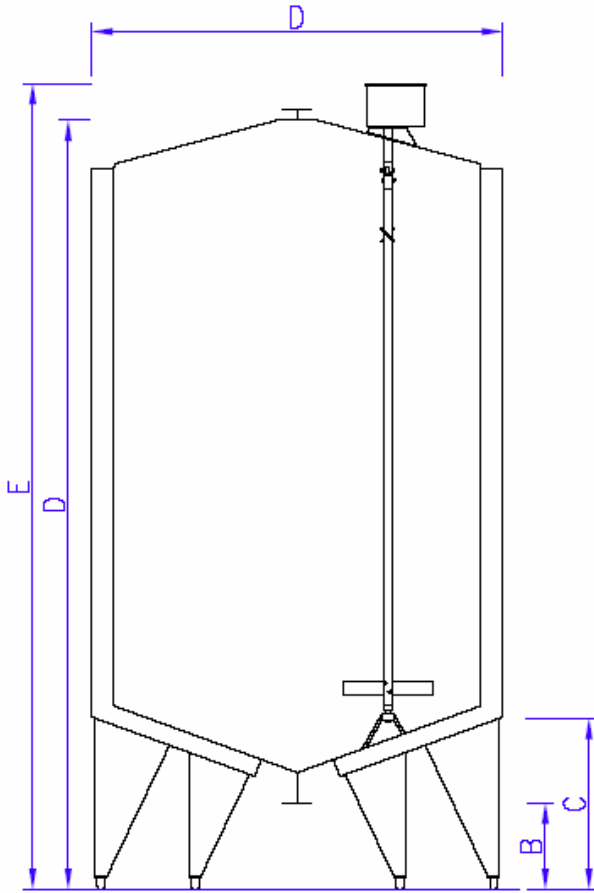


TANK N° 2007013



Type:

CIP tank
Mixing tank
Storage tank

Number of feet:

3
4

Agitator:

Yes No

Info: Type:
220-380v
kW 0.75

Manhole:

Yes No

Isolated:

Yes No

Cooling medium:

Icewater Glycol

Double jacket:

Yes No

Extra equipment:

-
-
-
-

A. Diameter tank:

1100 mm

B. Height inlet:

mm

C. Height feet:

500 mm

D. Height tank:

1600 mm

E. Total Height with manhole:

1800 mm

TANK N° 2007013

PICTURES:

2 tanks, not insulated, not jacketed, with agitator and sprayball 1.000 l stainless steel



TANK N° 2007013

