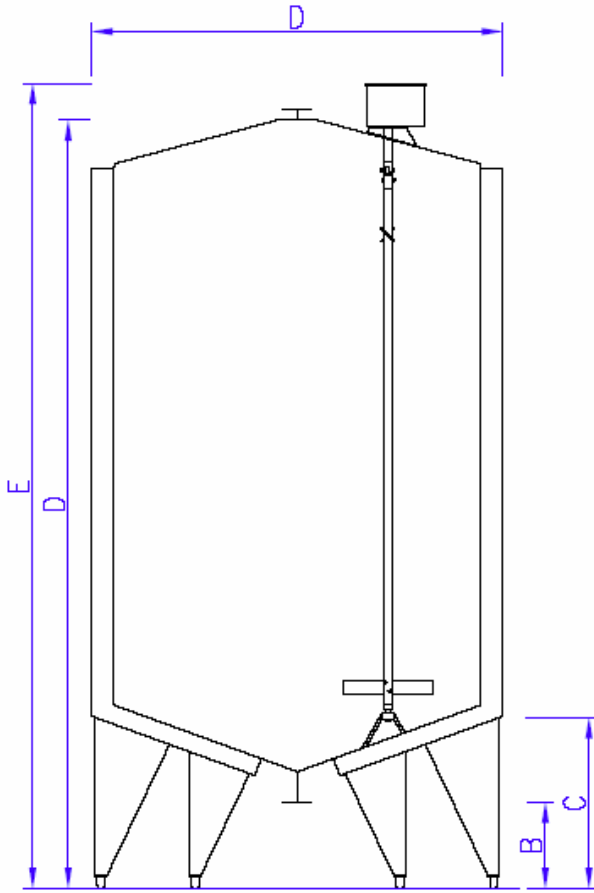


# TANK N° 2007014



Type:

CIP tank  
**Mixing tank**  
 Storage tank

Number of feet:

3  
**4**

Agitator:

**Yes**                      No

*Info:* Type: PS55  
 3Ph. 400V – 50Hz  
 kW 3.5  
 A

Manwhole:

Yes                      No

Isolated:

Yes                      **No**

Cooling medium:

Icewater              Glycol

Double jacket:

Yes                      **No**

Extra equipment:

-  
 -  
 -  
 -

A. Diameter tank:

1300 mm

B. Height inlet:

400 mm

C. Height feet:

430 mm

D. Height tank:

2480 mm

E. Total Height with agitator:

2750 mm

# TANK N° 2007014

PICTURES:



# TANK N° 2007014



# TANK N° 2007014

