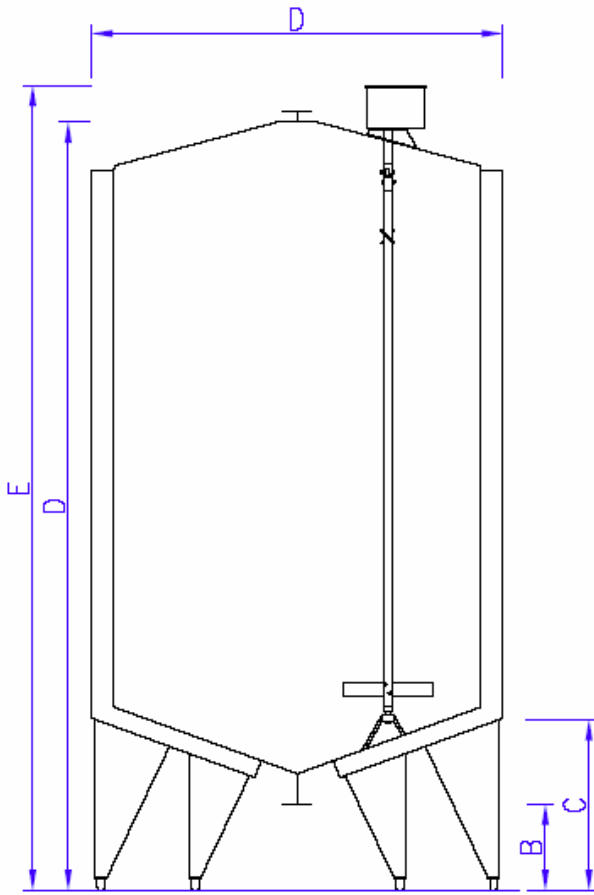


# TANK N° 2007015



<u>Type:</u>	CIP tank	
	Mixing tank	
	Storage tank	
<u>Number of feet:</u>	3	
	4	
<u>Agitator:</u>	Yes	No
<i>Info:</i>	Type:	
	3Ph. 400V – 50Hz	
	kW	
	A	
<u>Manwhole:</u>	Yes	No
<u>Isolated:</u>	Yes	No
<u>Cooling medium:</u>	Icewater	Glycol
<u>Double jacket:</u>	Yes	No
<u>Extra equipment:</u>	- PT 100	
	-	
	-	
	-	

A. <u>Diameter tank:</u>	1360 mm
B. <u>Height inlet:</u>	310 mm
C. <u>Height feet:</u>	520 mm
D. <u>Height tank:</u>	2850 mm
E. <u>Total Height with agitator:</u>	2950 mm

# TANK N° 2007015



# TANK N° 2007015



# TANK N° 2007015

