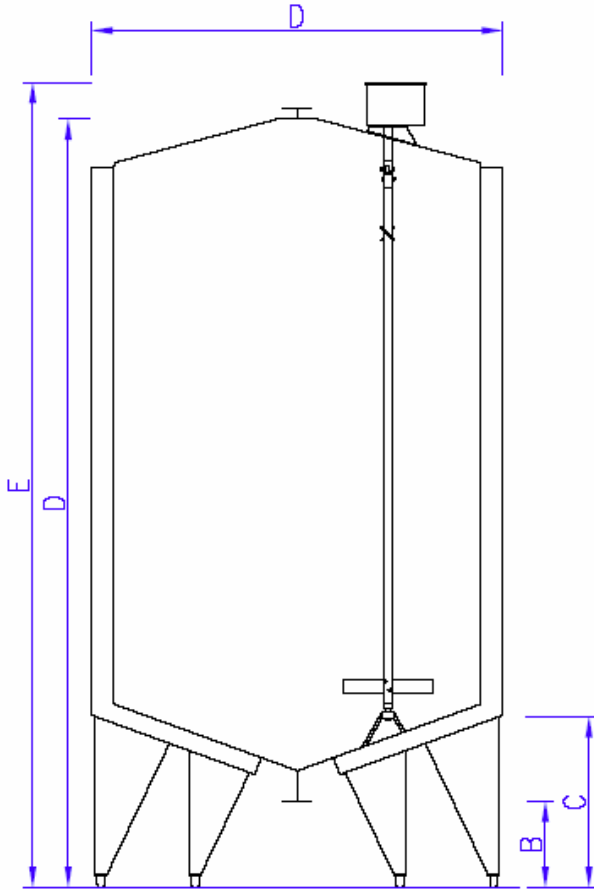


TANK N° 2007018



<u>Type:</u>	CIP tank	
	Mixing tank	
	Storage tank	
<u>Number of feet:</u>	3	
	4	
<u>Agitator:</u>	Yes	No
<u>Info:</u>	Type:	
	220-440v – 50Hz	
	kW 7.7	
	A 0.26	
<u>Manwhole:</u>	Yes	No
<u>Isolated:</u>	Yes	No
<u>Cooling medium:</u>	Icewater	Glycol
<u>Double jacket:</u>	Yes	No
<u>Extra equipment:</u>	-	
	-	
	-	
	-	

A. <u>Diameter tank:</u>	1400 mm
B. <u>Height inlet:</u>	300 mm
C. <u>Height feet:</u>	250 mm
D. <u>Height tank:</u>	1500 mm
E. <u>Total Height with manhole:</u>	1700 mm

TANK N° 2007018

PICTURES:

2 SCANDINOX 1.500 l tanks, with agitator and spray ball

