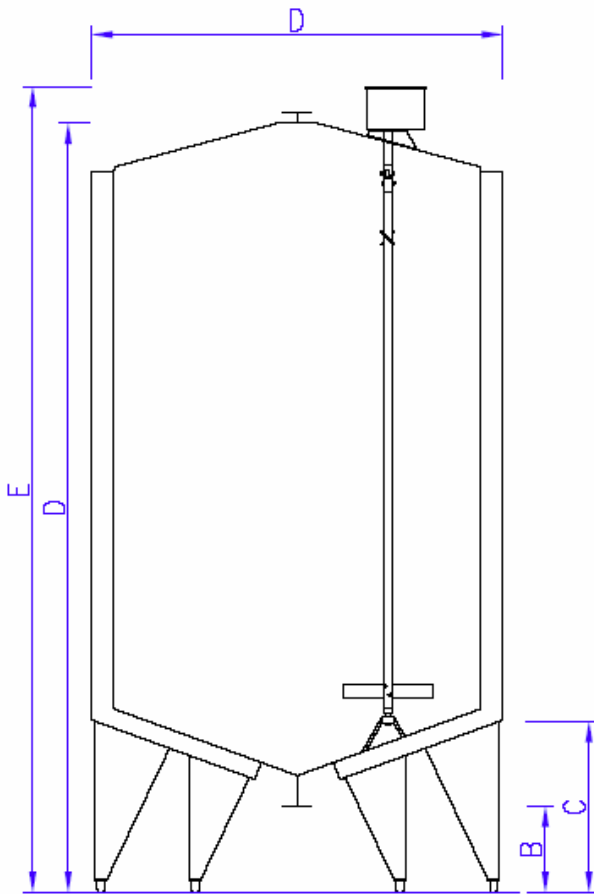


TANK N° 2007020



Type:

CIP tank
Mixing tank
Storage tank

Number of feet:

3
4 x 5 tanks

Agitator:

Yes No

Info:

Type:
3Ph. 400V – 50Hz
kW
A

Manwhole:

Yes No

Isolated:

Yes No

Cooling medium:

Icewater Glycol

Double jacket:

Yes No

Extra equipment:

- 2 x 2000l
- 1 x 2300l
- 1 x 1500l
- 1 x 1000l

A. Diameter tank:

1600 mm

B. Height inlet:

mm

C. Height feet:

150 mm

D. Height tank:

1500 mm

E. Total Height with manhole:

1500 mm

A. Diameter tank:

1600 mm

B. Height inlet:

mm

C. Height feet:

150 mm

D. Height tank:

1500 mm

E. Total Height with manhole:

1500 mm

TANK N° 2007020

A. Diameter tank:

1700 mm

B. Height inlet:

mm

C. Height feet:

100 mm

D. Height tank:

1900 mm

E. Total Height with manhole:

1900 mm

A. Diameter tank:

1400 mm

B. Height inlet:

mm

C. Height feet:

600 mm

D. Height tank:

2200 mm

E. Total Height with manhole:

2200 mm

A. Diameter tank:

1000 mm

B. Height inlet:

450 mm

C. Height feet:

400 mm

D. Height tank:

1800 mm

E. Total Height with manhole:

1800 mm

Ref: 2HH0038

TANK N° 2007020

Pictures:



TANK N° 2007020



CIP pump

