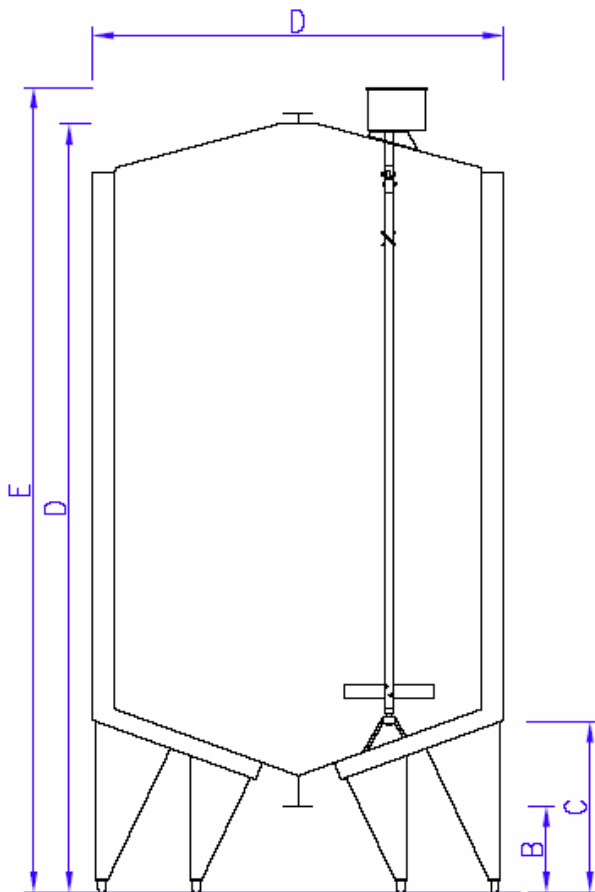


TANK N° 2007023



Type:

CIP tank
 Mixing tank
 Storage tank

Number of feet:

3
 4

Agitator:

Yes No

Info: Type:
 3Ph. 230- 400V – 50Hz
 kW 1.1 (T17 = 3.8kw)
 A 4.85

Manwhole:

Yes No

Isolated:

Yes T18 No T17

Cooling medium:

Icewater (T17) Glycol

Double jacket:

Yes No

Extra equipment:

- Sprayball
 -
 -

A. <u>Diameter tank T17:</u>	1360 mm
B. <u>Height inlet:</u>	400 mm
C. <u>Height feet:</u>	440 mm
D. <u>Height tank:</u>	2650 mm
E. <u>Total Height with agitator:</u>	2850 mm

A. <u>Diameter tank T18:</u>	1360 mm
B. <u>Height inlet:</u>	400 mm
C. <u>Height feet:</u>	440 mm
D. <u>Height tank:</u>	2650 mm
E. <u>Total Height with agitator:</u>	2790 mm

TANK N° 2007023



TANK N° 2007023

