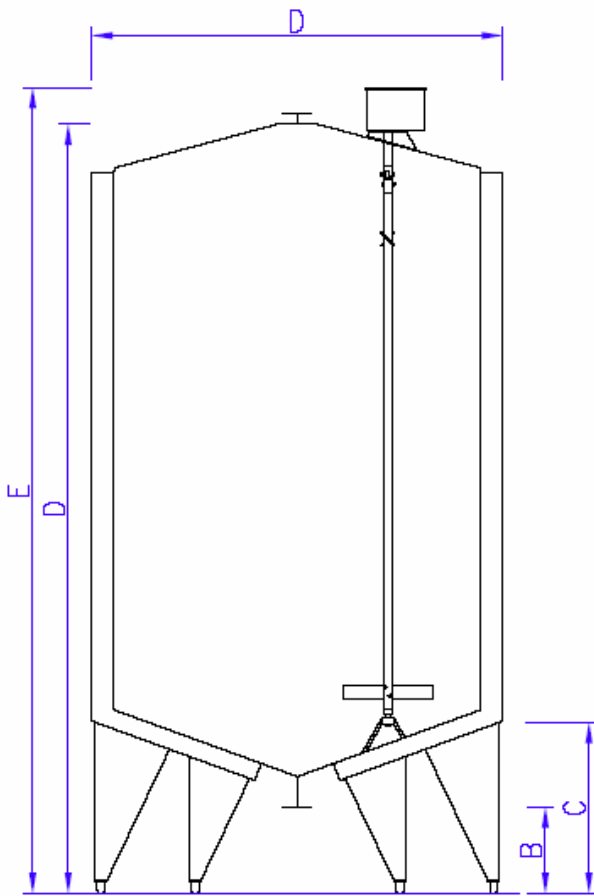


TANK N° 2007025



<u>Type:</u>	CIP tank	
	Mixing tank	
	Storage tank	
<u>Number of feet:</u>	3	
	4	
<u>Agitator:</u>	Yes	No
	<i>Info:</i> Type: FHI98123	
	3Ph. 380V – 50Hz	
	Kw 0.75	
	A 7.6	
<u>Manwhole:</u>	Yes	No
<u>Isolated:</u>	Yes	No
<u>Cooling medium:</u>	Icewater	Glycol
<u>Double jacket:</u>	Yes	No
<u>Extra equipment:</u>	- Agitator bottom and top	
	-	
	-	
	-	

A. <u>Diameter tank T5:</u>	1740 mm
B. <u>Height inlet:</u>	206 mm
C. <u>Height feet:</u>	440 mm
D. <u>Height tank:</u>	3200 mm
E. <u>Total Height with agitator:</u>	3500 mm

A. <u>Diameter tank T6/T7:</u>	1980 mm
B. <u>Height inlet:</u>	840 mm
C. <u>Height feet:</u>	530 mm
D. <u>Height tank:</u>	3300 mm
E. <u>Total Height with agitator:</u>	3550 mm

TANK N° 2007025

A. Diameter tank T8:

1510 mm

B. Height inlet:

330 mm

C. Height feet:

580 mm

D. Height tank:

3380 mm

E. Total Height with agitator:

3380 mm

REF. N°: 2HH0047 – T5/T6/T7/T8

PICTURES:



TANK N° 2007025



TANK N° 2007025

