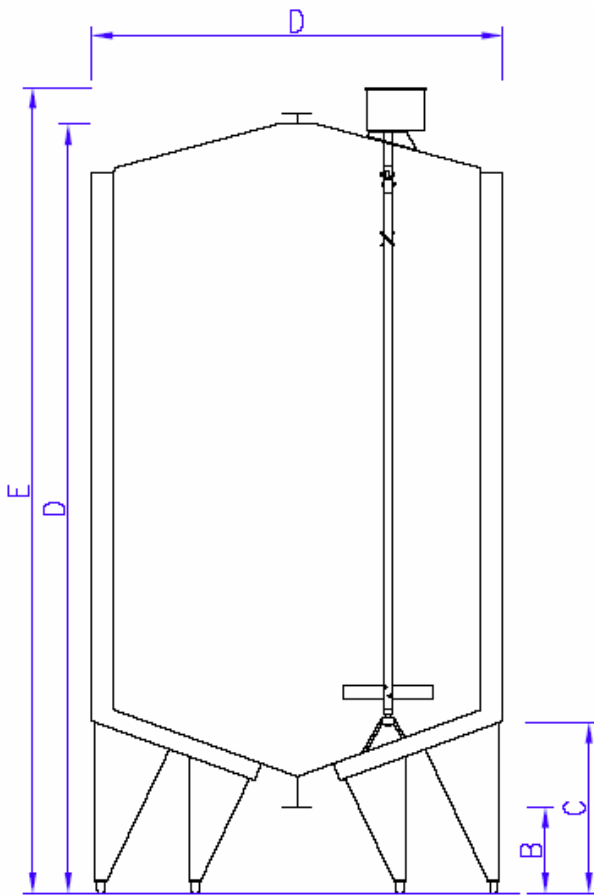


TANK N° 2007026



<u>Type:</u>	CIP tank	
	Mixing tank	
	Storage tank	
<u>Number of feet:</u>	3	
	4	
<u>Agitator:</u>	Yes	No
	<i>Info: Type:</i>	
	3Ph. 400V – 50Hz	
	kW	
	A	
<u>Manwhole:</u>	Yes	No
<u>Isolated:</u>	Yes	No
<u>Cooling medium:</u>	Icewater	Glycol
<u>Double jacket:</u>	Yes	No
<u>Extra equipment:</u>	-	
	-	
	-	
	-	

A. <u>Diameter tank:</u>	3000 mm
B. <u>Height inlet:</u>	24 +180mm
C. <u>Height feet:</u>	600 mm
D. <u>Height tank:</u>	2000 mm
E. <u>Total Height with agitator:</u>	2200 mm

TANK N° 2007026

PICTURES:



Horizontal stainless steel tank 5.000 l, previously used as wastewater tank