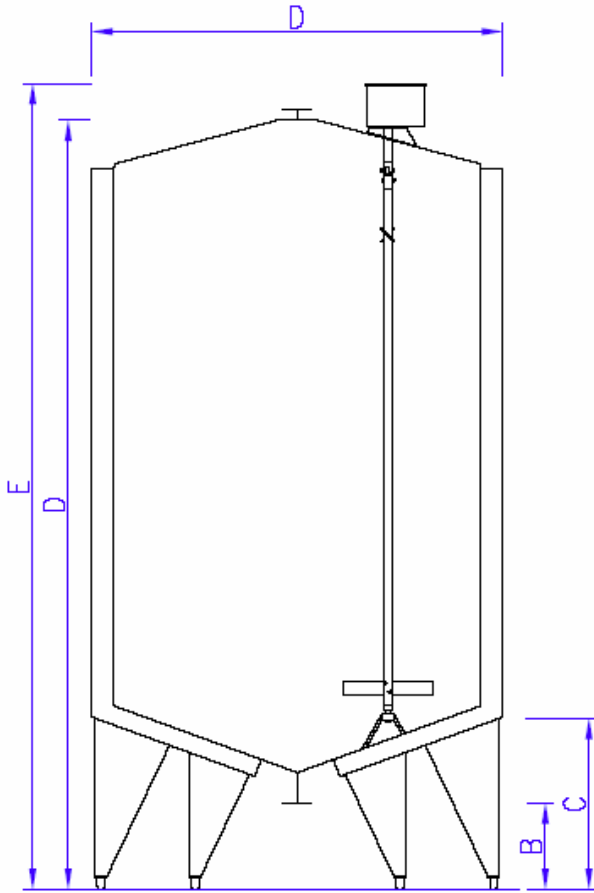


TANK N° 2007029



Type:

CIP tank
Mixing tank
Storage tank

Number of feet:

3
4

Agitator:

Yes No

Info: Type:
3Ph. 400V – 50Hz
kW
A

Manwhole:

Yes No

Isolated:

Yes No

Cooling medium:

Icewater Glycol

Double jacket:

Yes No

Extra equipment:

- 3 tanks
-
-
-

A. Diameter tank:

640 mm

B. Height inlet:

250 mm

C. Height feet:

450 mm

D. Height tank:

1400 mm

E. Total Height with manhole:

1400 mm

A. Diameter tank:

640 mm

B. Height inlet:

250 mm

C. Height feet:

450 mm

D. Height tank:

1400 mm

E. Total Height with manhole:

1400 mm

TANK N° 2007029

A. <u>Diameter tank:</u>	400 mm
B. <u>Height inlet:</u>	250 mm
C. <u>Height feet:</u>	450 mm
D. <u>Height tank:</u>	1400 mm
E. <u>Total Height with manhole:</u>	1400 mm

REF. N°: 2HH0058

PICTURES:

SANOVO container CIP 3 tanks, CIP pump, CIP return pump, dosing pumps, heating with steam injection

