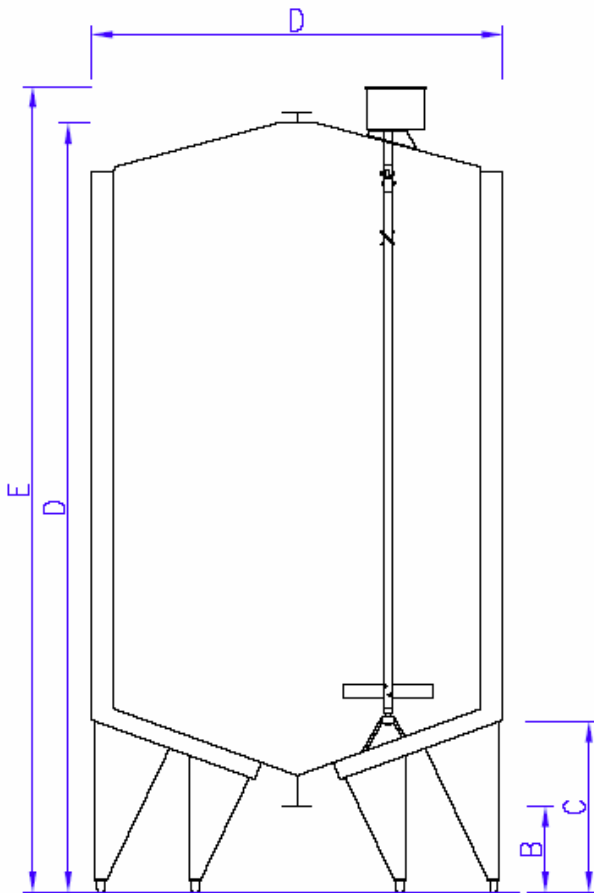


# TANK N° 2007030



<u>Type:</u>	CIP tank	
	Mixing tank	
	Storage tank	
<u>Number of feet:</u>	3	
	4	
<u>Agitator:</u>	Yes	No
	<i>Info: Type:</i>	
	220-380v	
	kW 0.56 – RPM 1400	
	A 2.8 – 50 HZ	
<u>Manwhome:</u>	Yes	No
<u>Isolated:</u>	Yes	No
<u>Cooling medium:</u>	Icewater	Glycol
<u>Double jacket:</u>	Yes	No
<u>Extra equipment:</u>	-	-
	-	-
	-	-
	-	-

A. <u>Diameter tank:</u>	1200 mm
B. <u>Height inlet:</u>	800 mm
C. <u>Height feet:</u>	900 mm
D. <u>Height tank:</u>	3600 mm
E. <u>Total Height with manhole:</u>	4300 mm

# TANK N° 2007030

PICTURES:

