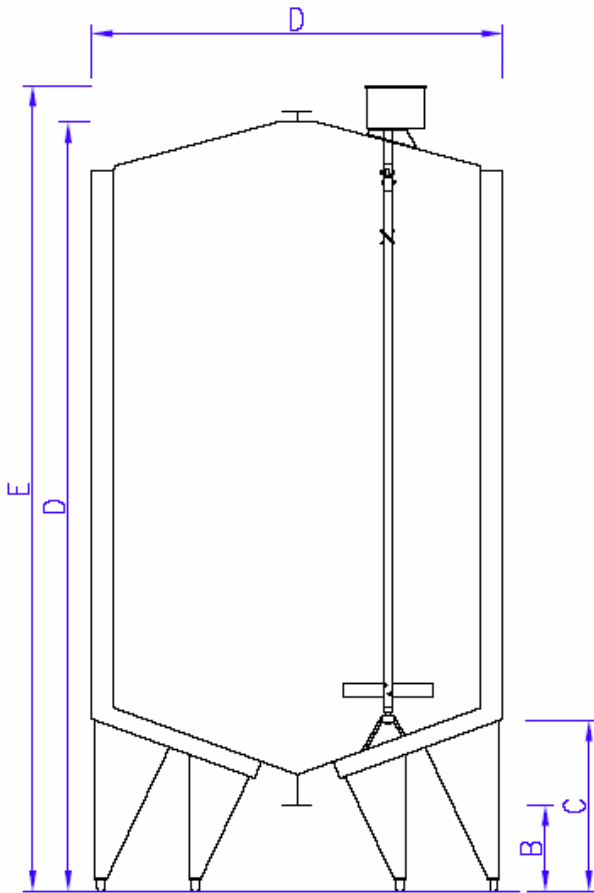


TANK N° 2007036 + 2007037



| | | |
|-------------------------|--------------------------|--------|
| <u>Type:</u> | CIP tank | |
| | Mixing tank | |
| | Storage tank | |
| <u>Number of feet:</u> | 3 | |
| | 4 | |
| <u>Agitator:</u> | Yes | No |
| | <i>Info:</i> Type: Sirem | |
| | 220-380v | |
| | kW 0.18 | |
| | A 0.23 – rpm 2800 | |
| <u>Manwhole:</u> | Yes | No |
| <u>Isolated:</u> | Yes | No |
| <u>Cooling medium:</u> | Icewater | Glycol |
| <u>Double jacket:</u> | Yes | No |
| <u>Extra equipment:</u> | - | - |
| | - | - |
| | - | - |
| | - | - |

| | |
|--------------------------------------|---------|
| A. <u>Diameter tank:</u> | 1400 mm |
| B. <u>Height inlet:</u> | 500 mm |
| C. <u>Height feet:</u> | 400 mm |
| D. <u>Height tank:</u> | 1400 mm |
| E. <u>Total Height with manhole:</u> | 1650 mm |

TANK N° 2007036 + 2007037

PICTURES:



TANK N° 2007036 + 2007037

