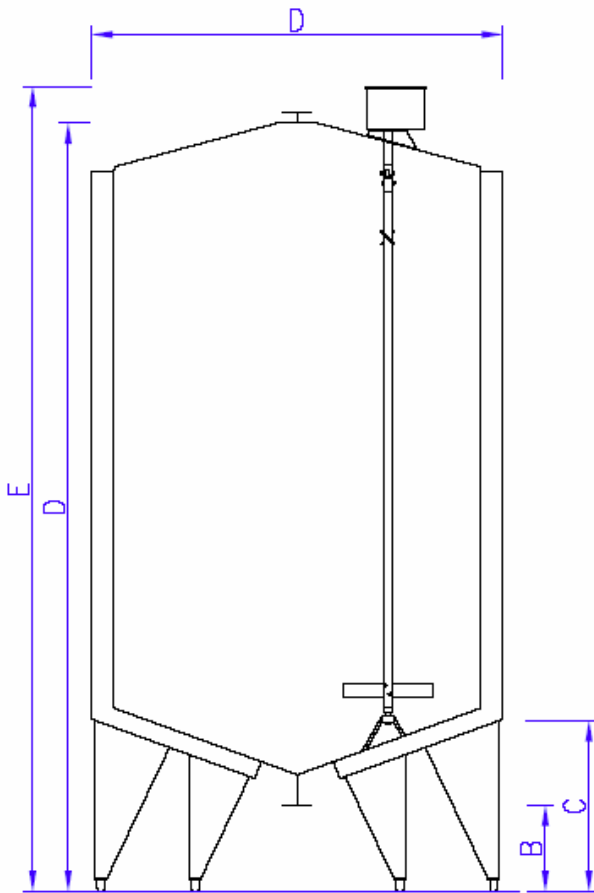


TANK N° 2007038+39+40



Type:

CIP tank
Mixing tank
Storage tank

Number of feet:

3
4

Agitator:

Yes No

Info: Type: Sirem
220-380 v - 50Hz
kW 0.18
A 0.23 – rpm 2800

Manwhole:

Yes No

Isolated:

Yes No

Cooling medium:

Icewater Glycol

Double jacket:

Yes No

Extra equipment:

-
-
-
-

A. Diameter tank:

1200 mm

B. Height inlet:

550 mm

C. Height feet:

400 mm

D. Height tank:

1200 mm

E. Total Height with manhole:

1550mm

TANK N° 2007038+39+40

PICTURES:

