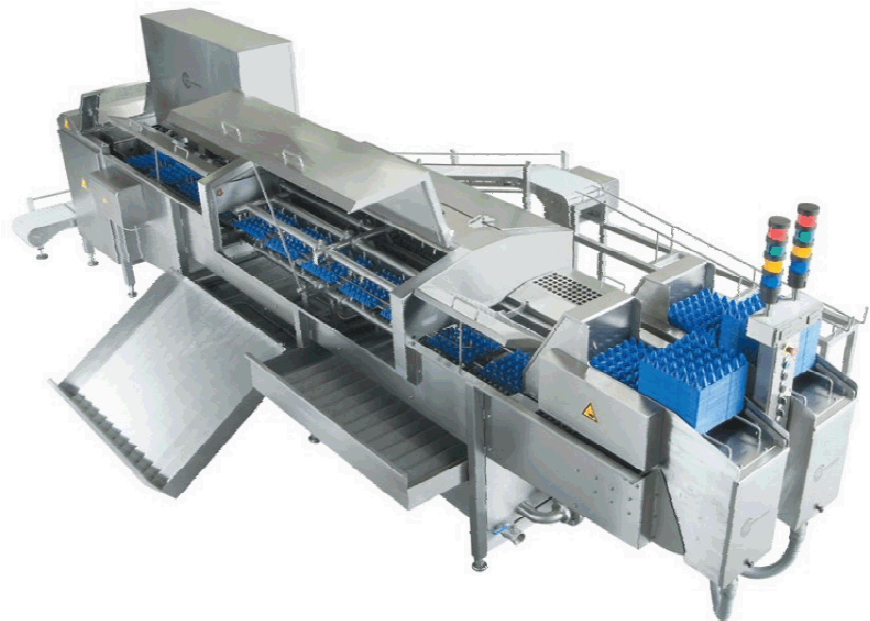
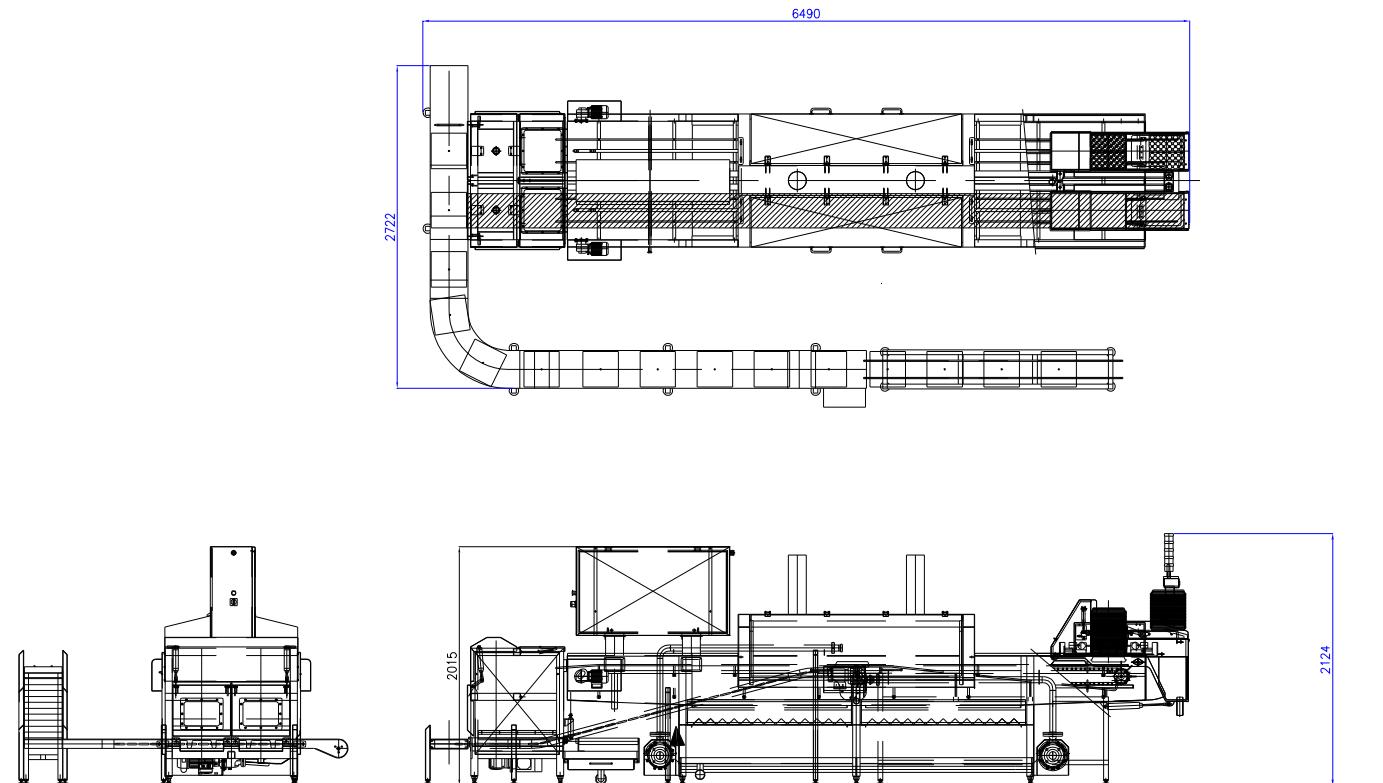


COENRAADTS TRAYWASHER TYPE CTW 3250 WITH 1 AUTOMATIC DESTACKER, WASHING UNIT, CENTRIFUGE AND STACKER UP TO 3.250 trays/hour



The Coenraadts tray washer is available in several versions. The trays used in the egg products industry can become extremely dirty, and often adhere to one another. This makes it more difficult to process unwashed trays automatically. The Coenraadts tray washer features an automatic stacker, which is able to cope effortlessly, even with dirty trays that have stuck together. Besides that it also has separate lines, each with its own destacker, drive unit, stacker and centrifuge. This reduces the risk of stoppages and lost capacity.





TYPE: CTW 3250

Capacity:	<i>3250 trays/hour</i>
Weight:	<i>approx. 1700kg</i>
Electricity:	<i>3ph.400V+N+PE 9,1kW - 50Hz</i>
Air consumption:	<i>250L/min @ 5-6 bar 3/8"</i>
Cold water:	<i>50-75L/h @ 2,5 bar (1000L water for start-up) 1"</i>